

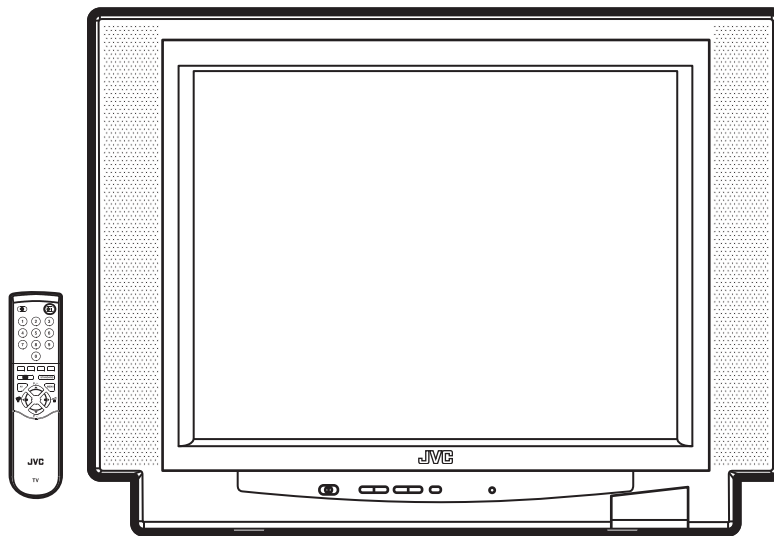
JVC

SCHEMATIC DIAGRAMS

COLOUR TELEVISION

AV28BH7ENS / AV28BH7ENB AV28BH7EPS / AV28BH7EPB AV28BH7EES / AV28BH7EEB

CD-ROM No.SML200204



CONTENTS

■ NOTE ON USING CIRCUIT DIAGRAMS	2-1
■ SEMICONDUCTOR SHAPES	2-2
■ BLOCK DIAGRAM	2-3
■ CIRCUIT DIAGRAMS	2-5
■ PATTERN DIAGRAMS	2-19

CONTENTS

SEMICONDUCTOR SHAPES ----- 2-2

BLOCK DIAGRAM ----- 2-3

CIRCUIT DIAGRAMS

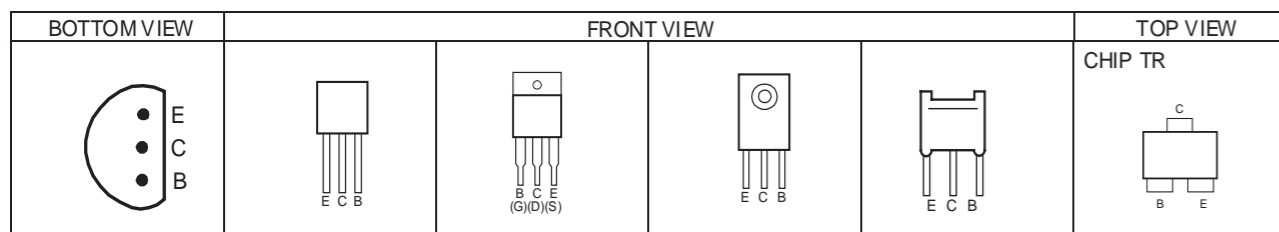
MAIN PWB CIRCUIT DIAGRAM ----- 2-5
 MULTI SOUND PWB CIRCUIT DIAGRAM ----- 2-11
 FEATURE BOX PWB CIRCUIT DIAGRAM ----- 2-13
 CRT SOCKET PWB CIRCUIT DIAGRAM ----- 2-15
 FRONT AV + HEADPHONE JACK PWB CIRCUIT DIAGRAM ----- 2-17
 FRONT CONTROL PWB CIRCUIT DIAGRAM ----- 2-18

PATTERN DIAGRAMS

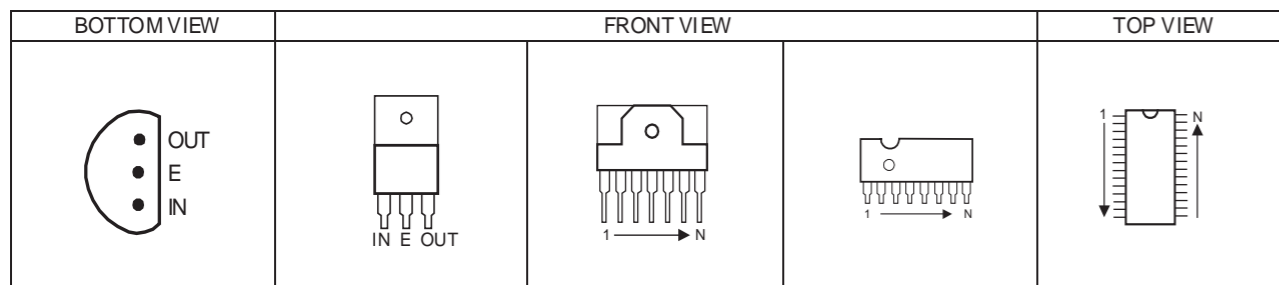
MAIN PWB PATTERN ----- 2-19
 MULTI SOUND PWB PATTERN ----- 2-21
 FEATURE BOX PWB PATTERN ----- 2-23
 CRT SOCKET PWB PATTERN & FRONT CONTROL PWB PATTERN ----- 2-25
 FRONT AV + HEADPHONE JACK PWB PATTERN ----- 2-26

SEMICONDUCTOR SHAPES

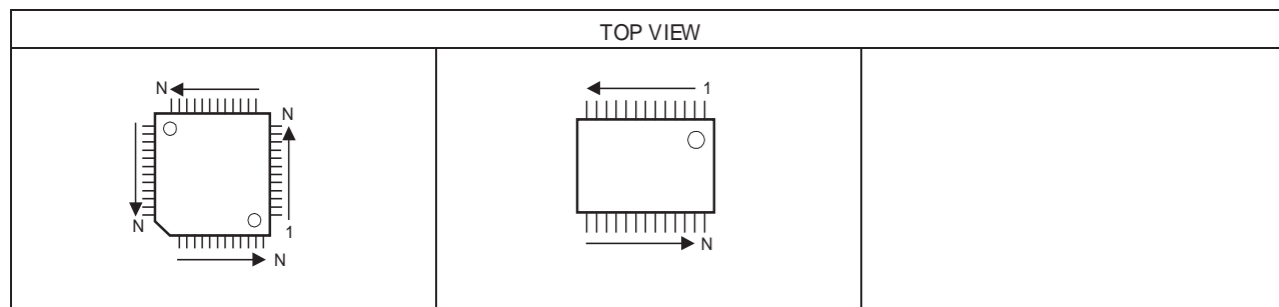
TRANSISTOR



IC



CHIP IC



AV28BH7ENS / AV28BH7ENB AV28BH7EPS / AV28BH7EPB AV28BH7EES / AV28BH7EEB

STANDARD CIRCUIT DIAGRAM

NOTE ON USING CIRCUIT DIAGRAMS

1.SAFETY

The components identified by the Δ symbol and shading are critical for safety. For continued safety replace safety critical components only with manufactures recommended parts.

2.SPECIFIED VOLTAGE AND WAVEFORM VALUES

The voltage and waveform values have been measured under the following conditions.

- (1)Input signal : Colour bar signal
- (2)Setting positions of each knob/button and variable resistor : Original setting position when shipped
- (3)Internal resistance of tester :DC 20k Ω /V
- (4)Oscilloscope sweeping time :H \Rightarrow 20 μ S/div
:V \Rightarrow 5mS/div
:Others \Rightarrow Sweeping time is specified
- (5)Voltage values :All DC voltage values

* Since the voltage values of signal circuit vary to some extent according to adjustments, use them as reference values.

3.INDICATIONS ON THE CIRCUIT DIAGRAM

(1)Resistors

- Resistance value
No unit :[Ω]
K :[K Ω]
M :[M Ω]

● Type

- No indication :Carbon resistor
- OMR :Oxide metal film resistor
- MFR :Metal film resistor
- MPR :Metal plate resistor
- UNFR :Uninflammable resistor
- FR :Fusible resistor

* Composition resistor 1/2 [W] is specified as 1/2S or Comp.

(2)Capacitors

- Capacitance value
1 or higher :[pF]
less than 1 :[μ F]

- Withstand voltage
No indication :DC50[V]
Others :DC withstand voltage [V]
AC indicated :AC withstand voltage [V]
- * Electrolytic Capacitors
47/50[Example]:Capacitance value [μ F]/withstand voltage[V]
- Type
No indication :Ceramic capacitor
MM :Metalized mylar capacitor
PP :Polypropylene capacitor
MPP :Metalized polypropylene capacitor
MF :Metalized film capacitor
TF :Thin film capacitor
BP :Bipolar electrolytic capacitor
TAN :Tantalum capacitor
- (3)Coils
No unit :[μ H]
Others :As specified

4.NOTE FOR REPAIRING SERVICE

This model's power circuit is partly different in the GND. The difference of the GND is shown by the LIVE side GND and the ISOLATED(NEUTRAL) side GND. Therefore, care must be taken for the following points.

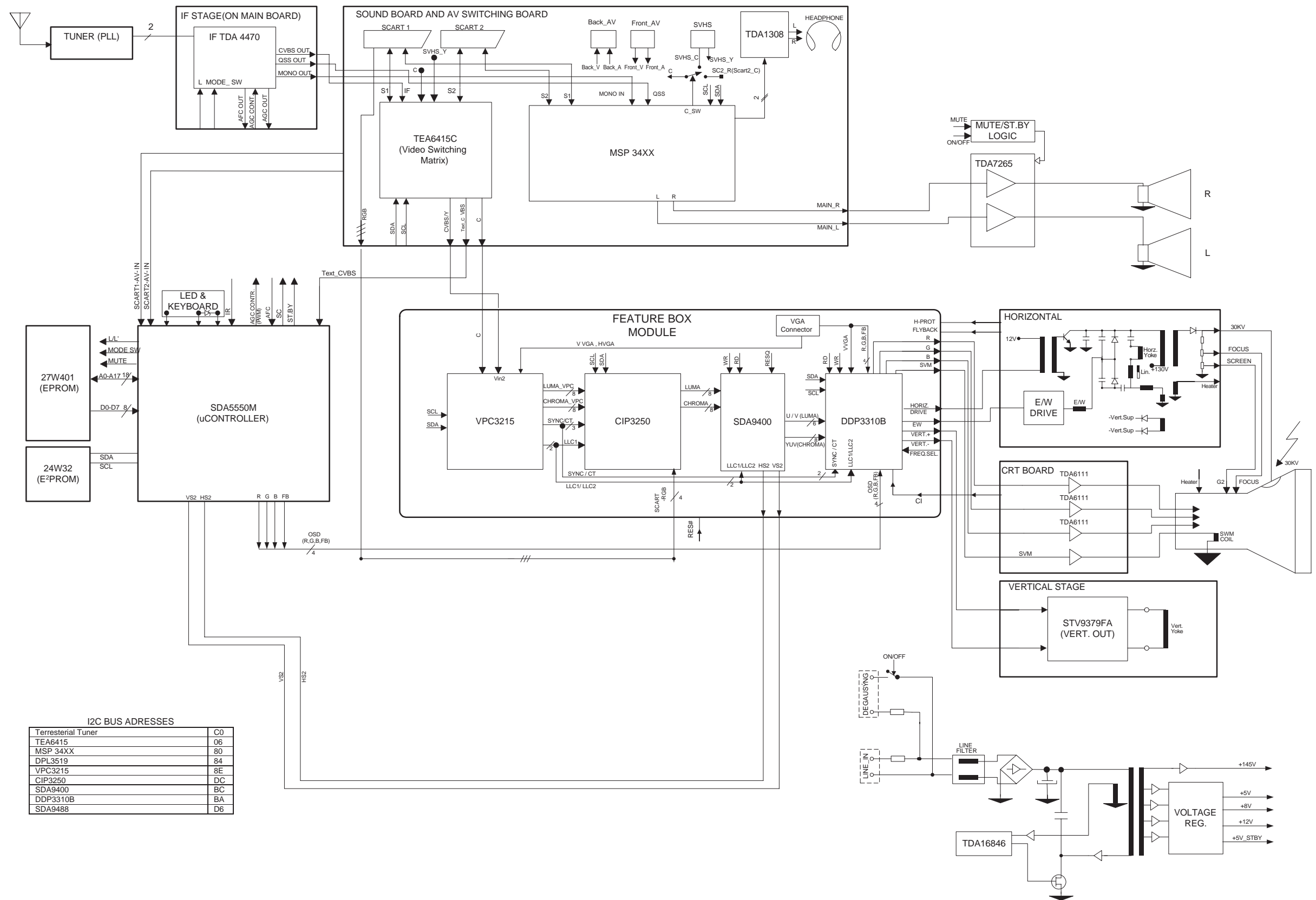
- (1)Do not touch the LIVE side GND or the LIVE side GND and the ISOLATED(NEUTRAL) side GND simultaneously. If the above caution is not respected, an electric shock may be caused. Therefore, make sure that the power cord is surely removed from the receptacle when, for example, the chassis is pulled out.
- (2)Do not short between the LIVE side GND and ISOLATED(NEUTRAL) side GND or never measure with a measuring apparatus measure with a measuring apparatus (oscilloscope, etc.) the LIVE side GND and ISOLATED(NEUTRAL) side GND at the same time. If the above precaution is not respected , a fuse or any parts will be broken.

◇ Since the circuit diagram is a standard one, the circuit and circuit constants may be subject to change for improvement without any notice.

NOTE

◇ Due improvement in performance, some part numbers show in the circuit diagram may not agree with those indicated in the part list. When ordering parts, please use the numbers that appear in the Parts List.

BLOCK DIAGRAM



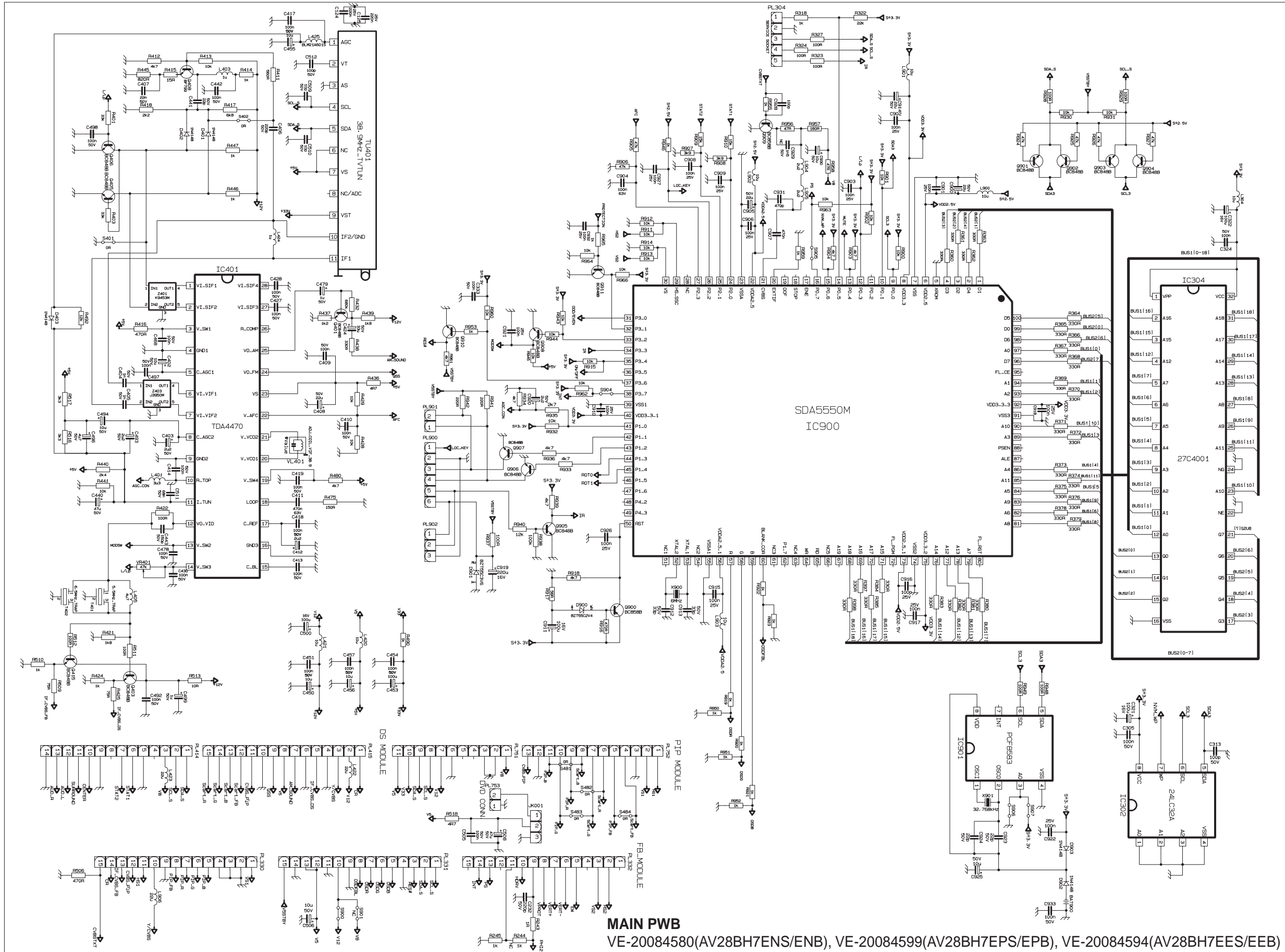
I2C BUS ADDRESSES

Terrestrial Tuner	C0
TEA6415	06
MSP 34XX	80
DPL3519	84
VPC3215	8E
CIP3250	DC
SDA9400	BC
DDP3310B	BA
SDA9488	D6

CIRCUIT DIAGRAMS MAIN PWB CIRCUIT DIAGRAM (1/3)

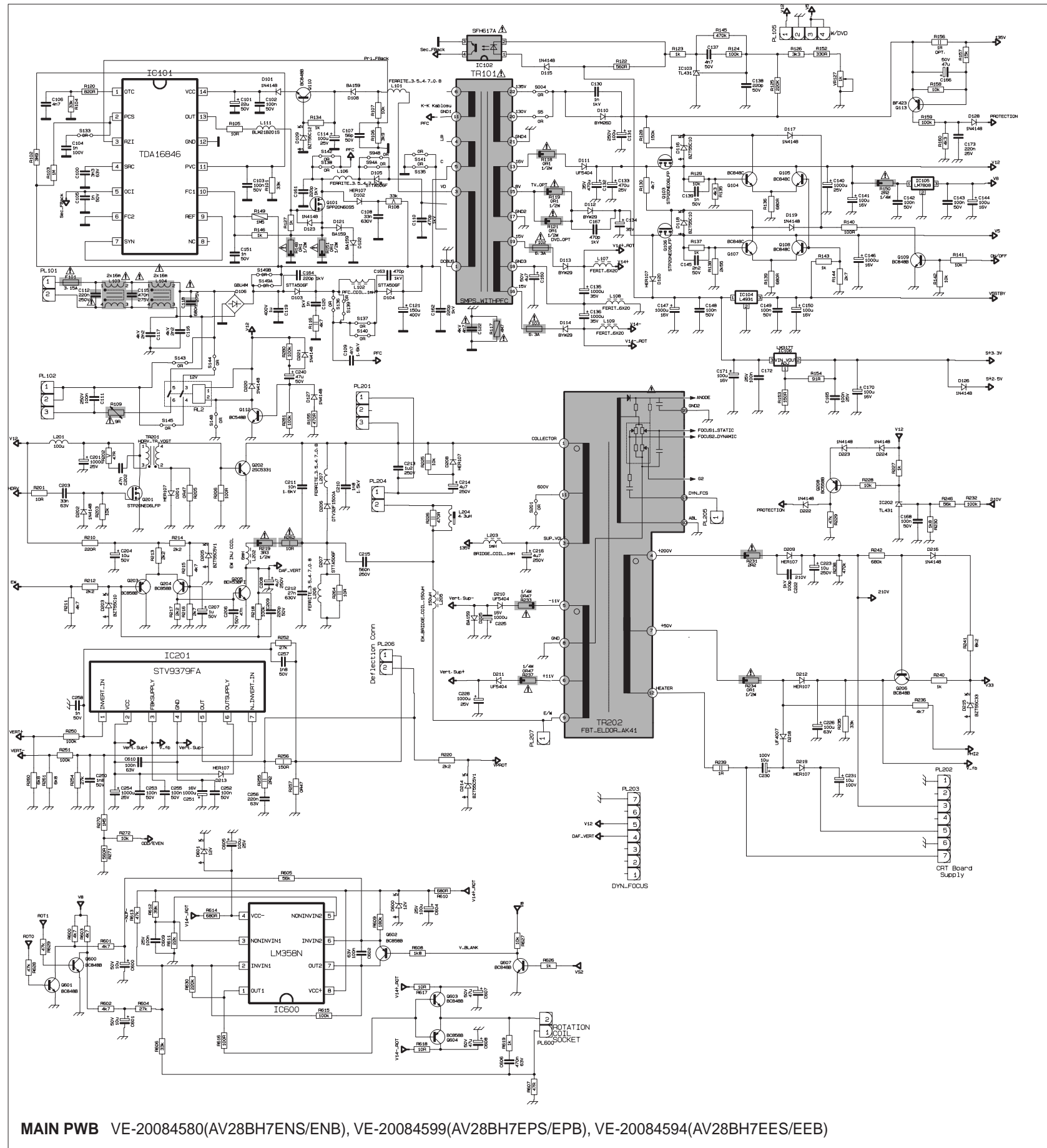
AV28BH7ENS / AV28BH7ENB
 AV28BH7EPS / AV28BH7EPB
 AV28BH7EES / AV28BH7EEB

AV28BH7ENS / AV28BH7ENB
 AV28BH7EPS / AV28BH7EPB
 AV28BH7EES / AV28BH7EEB



MAIN PWB
 VE-20084580(AV28BH7ENS/ENB), VE-20084599(AV28BH7EPS/EPB), VE-20084594(AV28BH7EES/EEB)

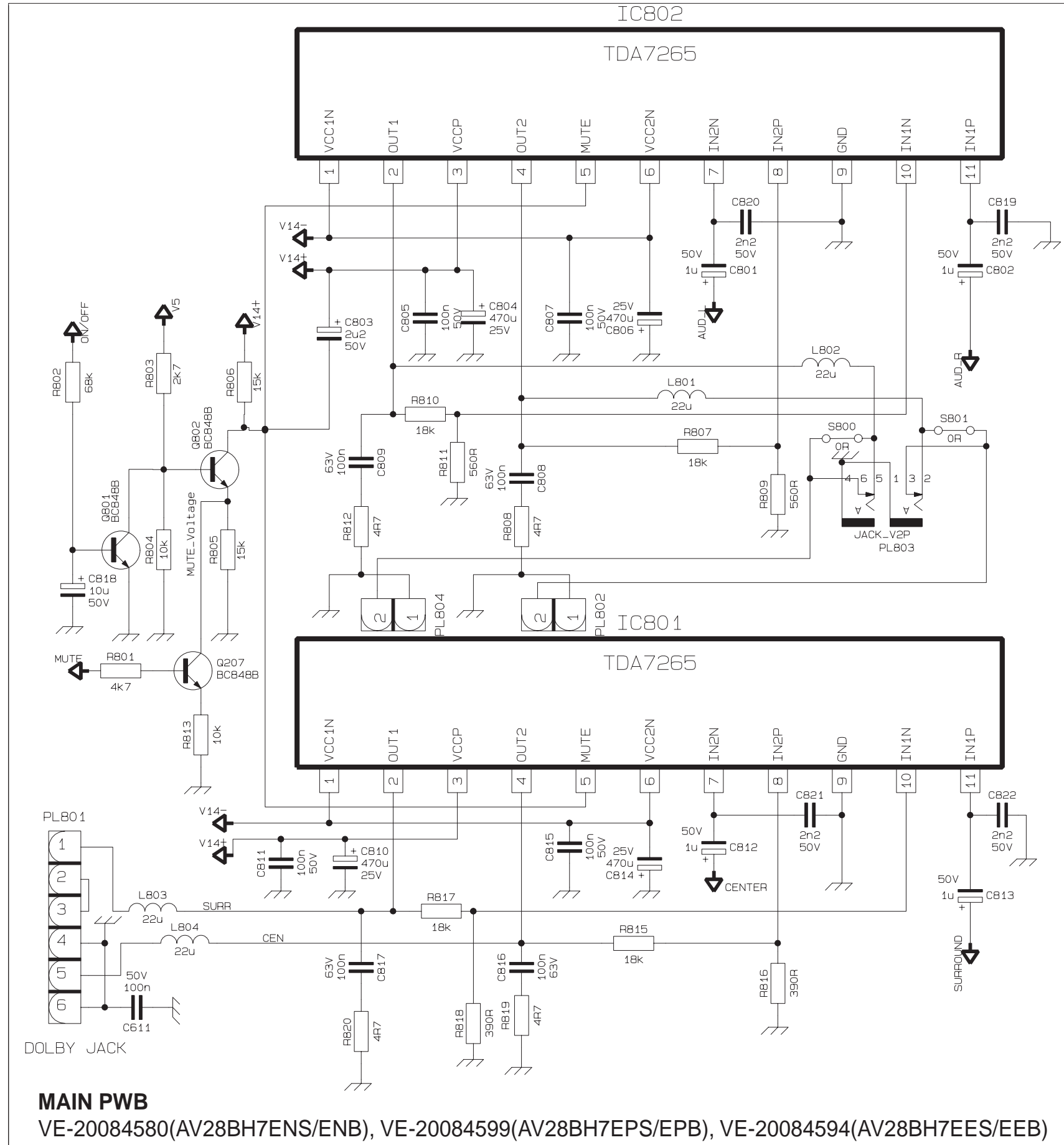
MAIN PWB CIRCUIT DIAGRAM (2/3)



MAIN PWB VE-20084580(AV28BH7ENS/ENB), VE-20084599(AV28BH7EPS/EPB), VE-20084594(AV28BH7EES/EEB)

POSITION	EE VERSIONS		EN VERSIONS		EP VERSIONS	
	VESTEL CODE	DESCRIPTION	VESTEL CODE	DESCRIPTION	VESTEL CODE	DESCRIPTION
C424	-	-	-	-	VE-3000387	CAP EL 33UF 50V M
C455	VE-30000345	CAP EL 10UF 50V M	VE-30000345	CAP EL 10UF 50V M	-	-
C430	-	-	-	-	VE-30000294	-
C479	-	-	-	-	VE-30000382	-
C493	-	-	-	-	VE-30000384	-
C494	-	-	-	-	VE-30000345	-
C496	-	-	-	-	VE-30000413	-
D401	VE-30001735	JUMPER SMD 1206	VE-30001735	JUMPER SMD 1206	VE-30001285	JUMPER SMD 1206
D402	-	-	-	-	VE-30001285	-
IC401	VE-30001495	IC TDA4472	VE-30001495	IC TDA4472	VE-30001494	IC TDA4472
Q401	-	-	-	-	VE-30001457	-
Q405	-	-	-	-	VE-30001457	-
Q406	-	-	-	-	VE-30001457	-
R401	-	-	-	-	VE-30000665	-
R403	-	-	-	-	VE-30000668	-
R417	-	-	-	-	VE-30000778	-
R418	-	-	-	-	VE-30000593	-
R446	-	-	-	-	VE-30000469	-
R447	-	-	-	-	VE-30000469	-
R437	-	-	-	-	VE-30000499	-
R438	-	-	-	-	VE-30000655	-
R439	-	-	-	-	VE-30000563	-
R446	-	-	-	-	VE-30000469	-
R447	-	-	-	-	VE-30000469	-
R516	-	-	-	-	VE-30000664	-
R517	-	-	-	-	VE-30000664	-
S401	VE-30001734	JUMPER SMD (0805)	VE-30001734	JUMPER SMD (0805)	-	-
T402	VE-30001726	FILTER SER TRAP TPS 6.5MHZ	-	-	VE-30001726	FILTER SER TRAP TPS 6.5MHZ
VL401	VE-30002037	ADJ COIL VIF 38.9 Q80	VE-30002037	ADJ COIL VIF 38.9 Q80	VE-30002036	ADJ COIL VIF 38.9MHZ C=12PF
VR401	-	-	-	-	VE-30001069	RES ADJ 0.15W 47K VER (MAN)

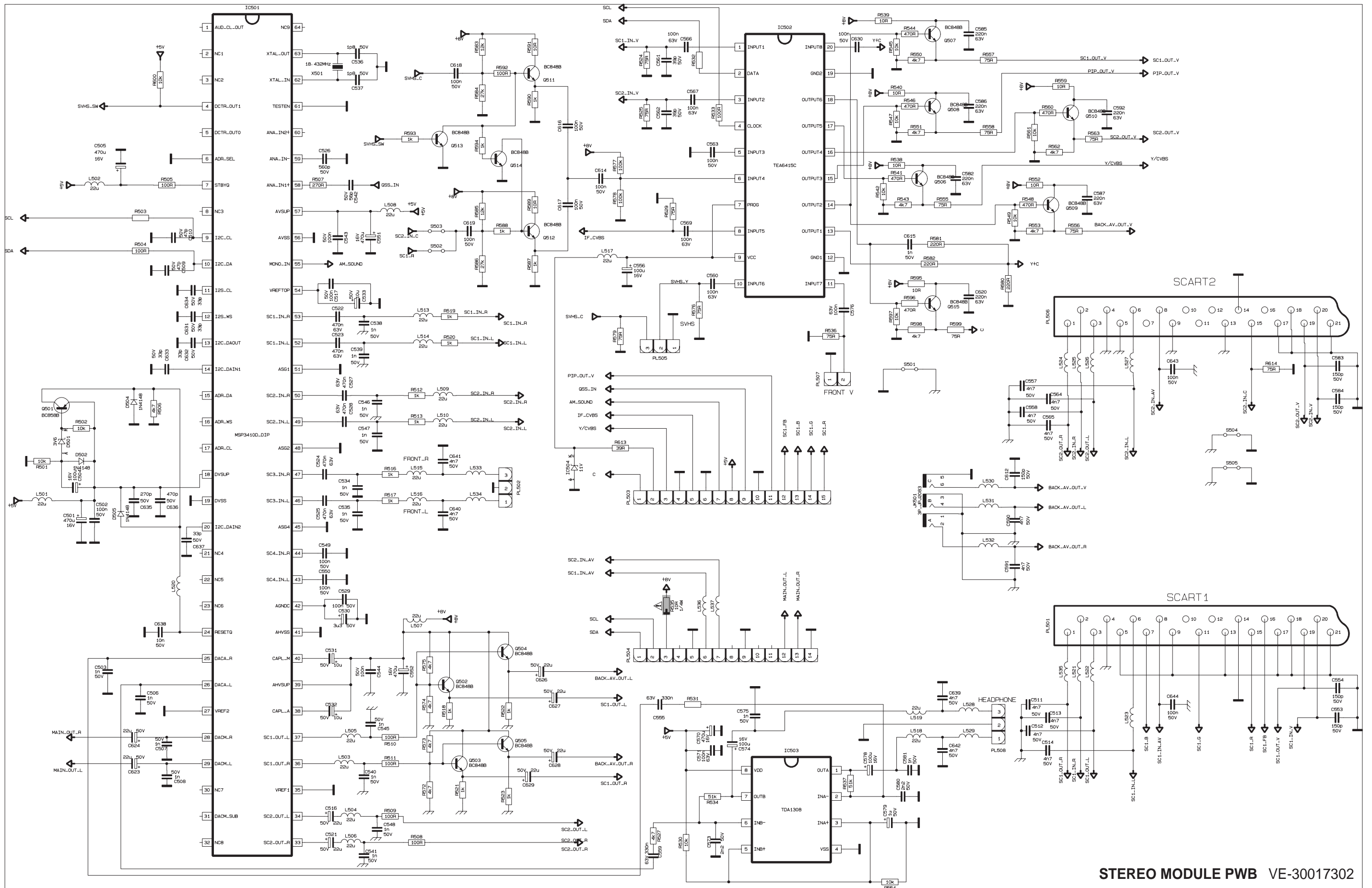
MAIN PWB CIRCUIT DIAGRAM (3/3)



MAIN PWB

VE-20084580(AV28BH7ENS/ENB), VE-20084599(AV28BH7EPS/EPB), VE-20084594(AV28BH7EES/EEB)

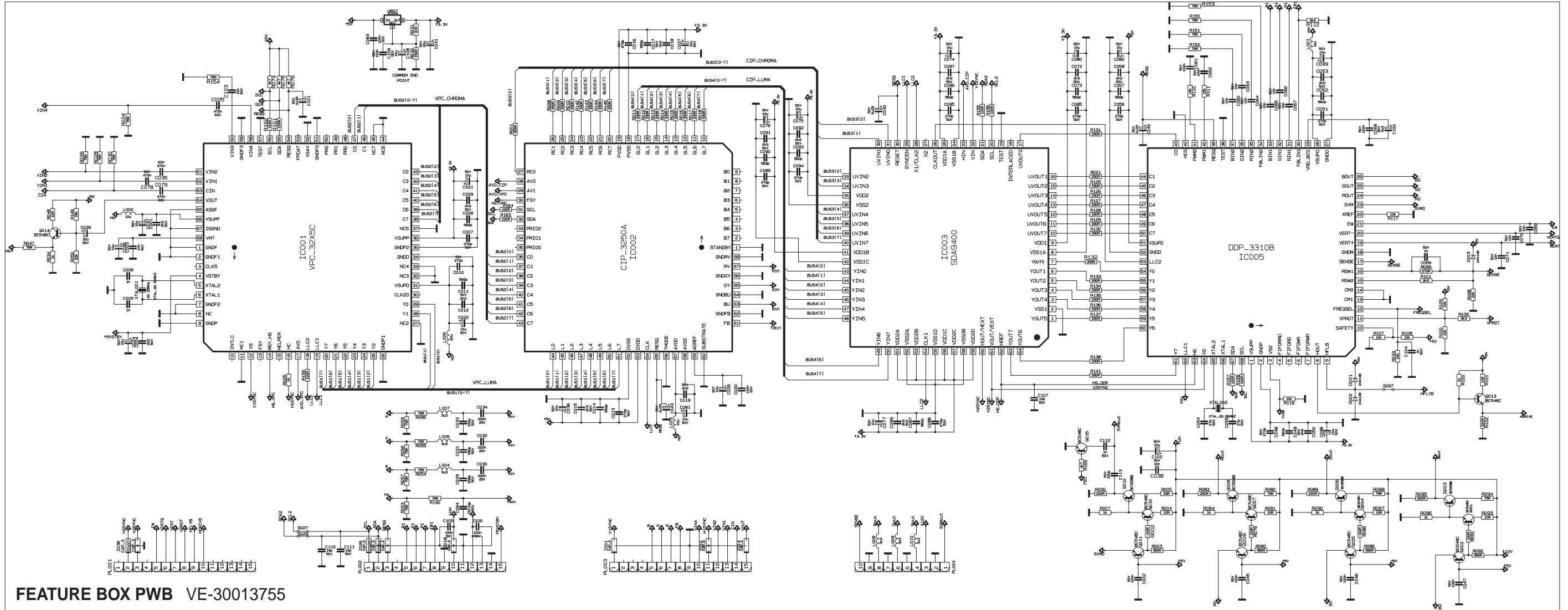
MULTI SOUND PWB CIRCUIT DIAGRAM



FEATURE BOX PWB CIRCUIT DIAGRAM

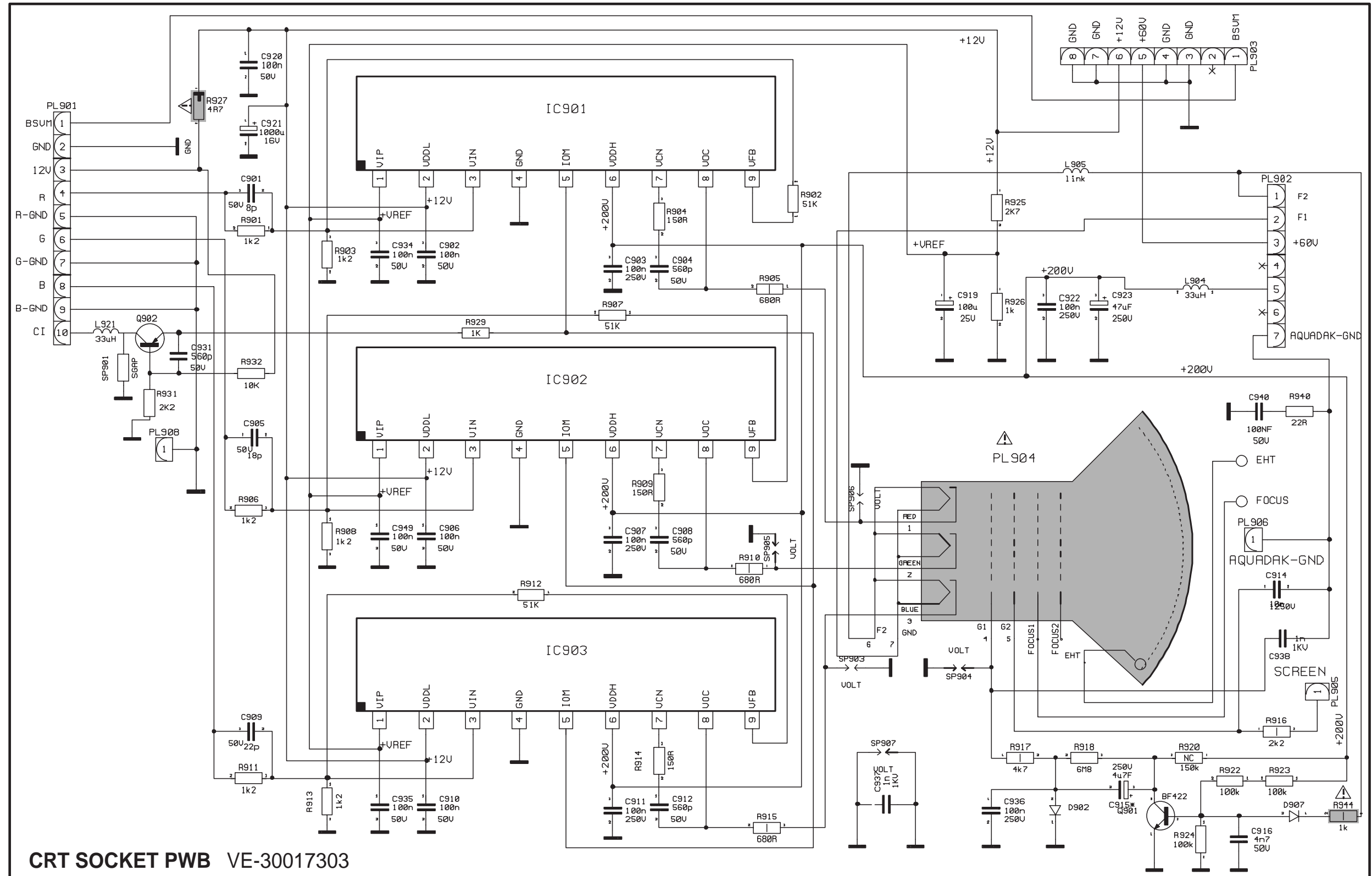
AV28BH7ENS / AV28BH7ENB
 AV28BH7EPS / AV28BH7EPB
 AV28BH7EES / AV28BH7EEB

AV28BH7ENS / AV28BH7ENB
 AV28BH7EPS / AV28BH7EPB
 AV28BH7EES / AV28BH7EEB

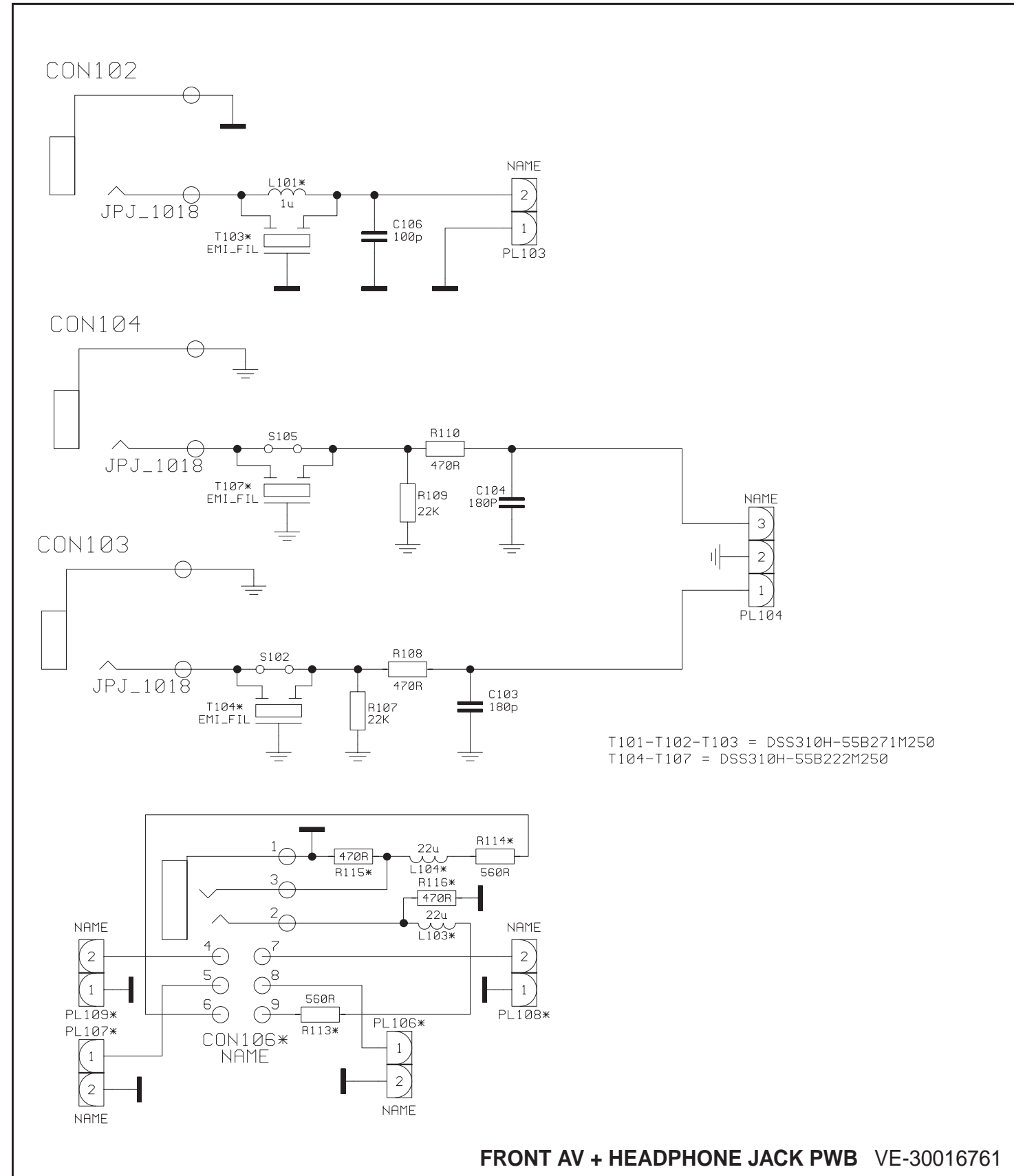


FEATURE BOX PWB VE-30013755

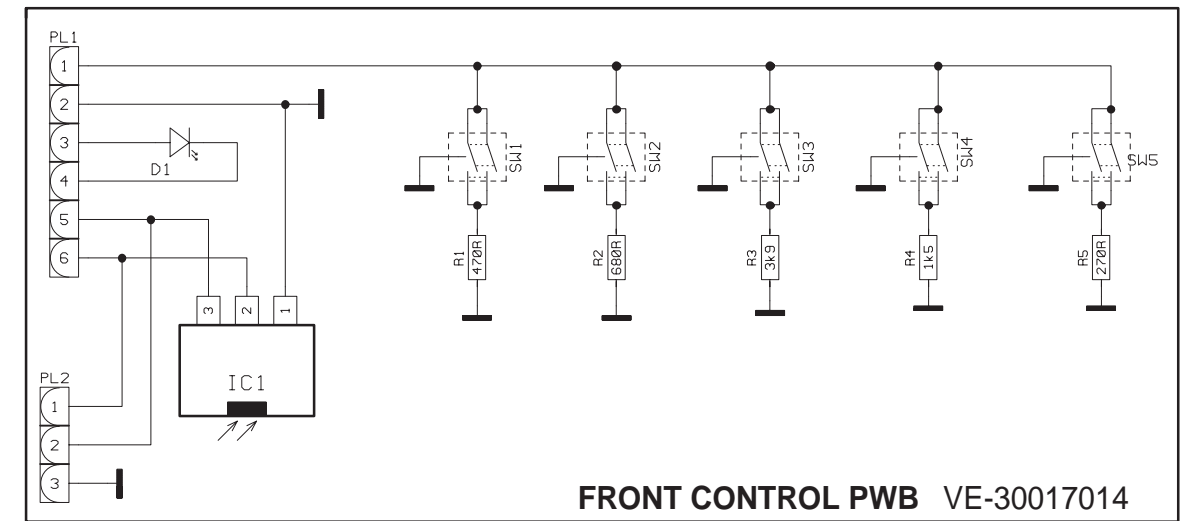
CRT SOCKET PWB CIRCUIT DIAGRAM



FRONT AV + HEADPHONE JACK PWB CIRCUIT DIAGRAM



FRONT CONTROL PWB CIRCUIT DIAGRAM

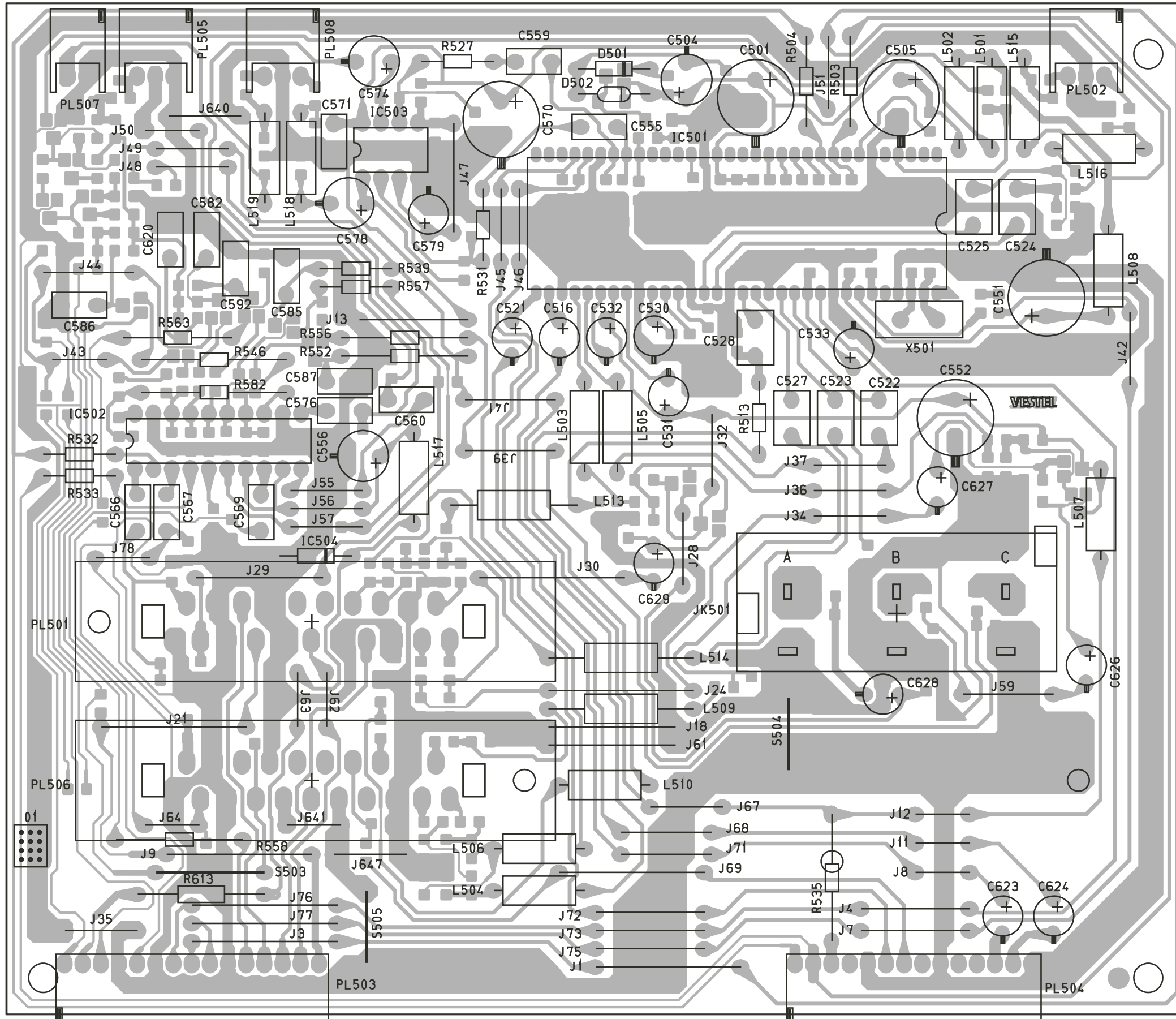


MULTI SOUND PWB PATTERN

AV28BH7ENS / AV28BH7ENB
AV28BH7EPS / AV28BH7EPB
AV28BH7EES / AV28BH7EEB

AV28BH7ENS / AV28BH7ENB
AV28BH7EPS / AV28BH7EPB
AV28BH7EES / AV28BH7EEB

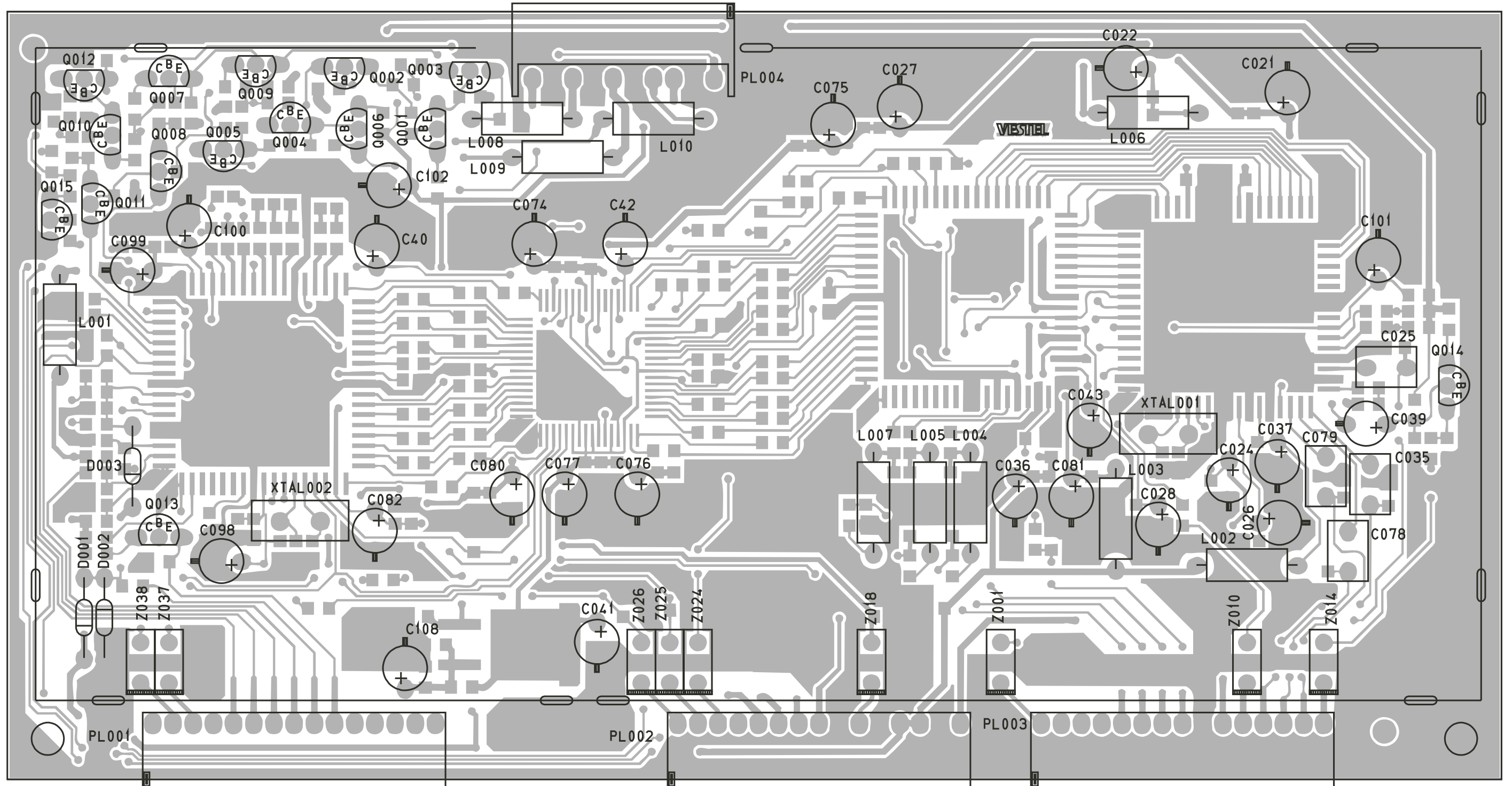
TOP
↑



FEATURE BOX PWB PATTERN

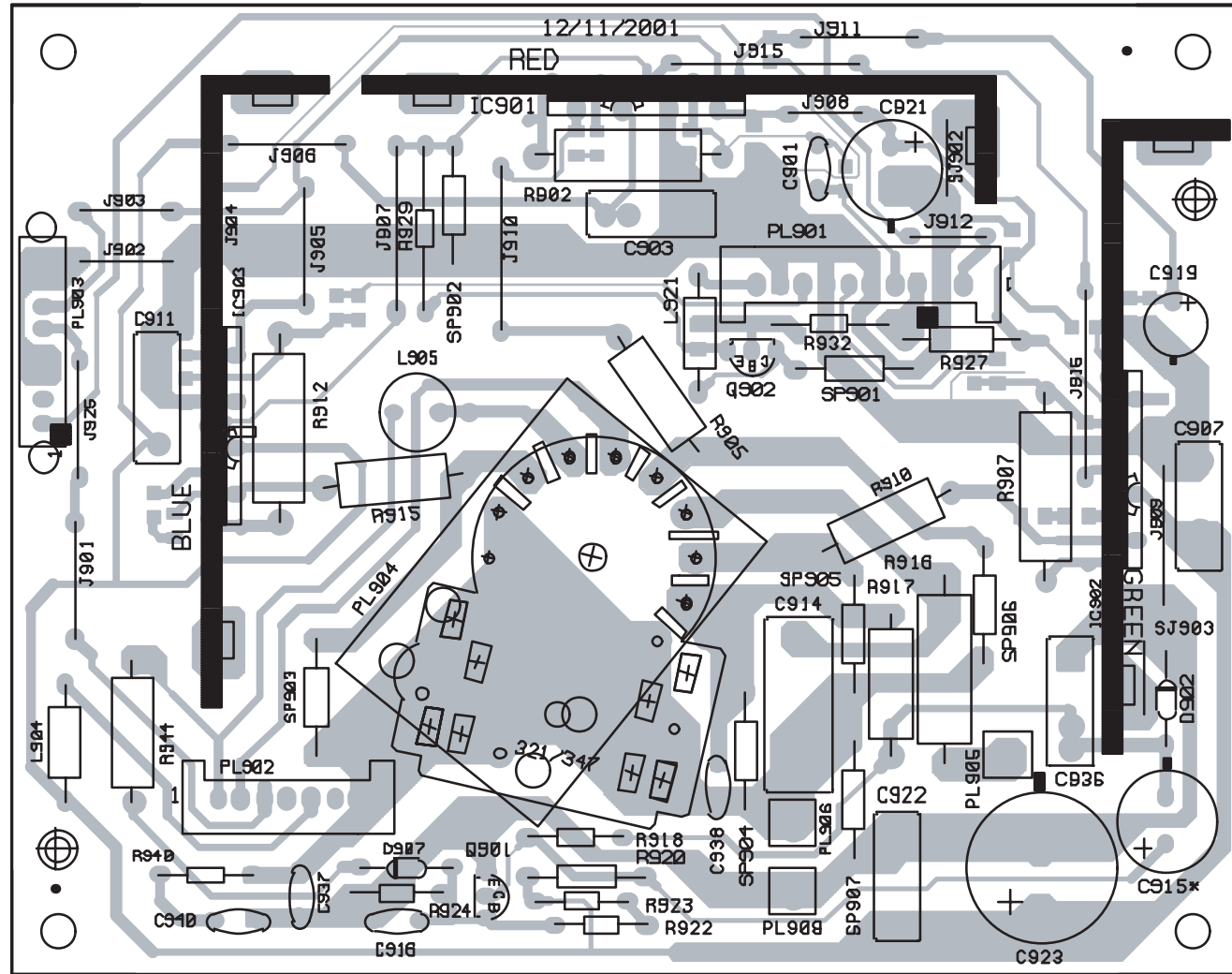
TOP
↑

TOP
↑

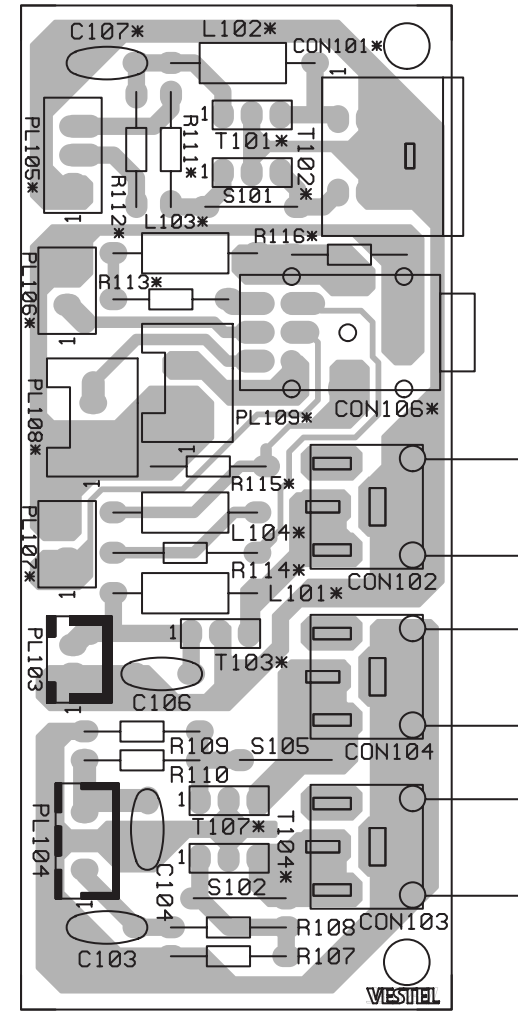


CRT SOCKET PWB PATTERN

FRONT AV + HEADPHONE JACK PWB PATTERN



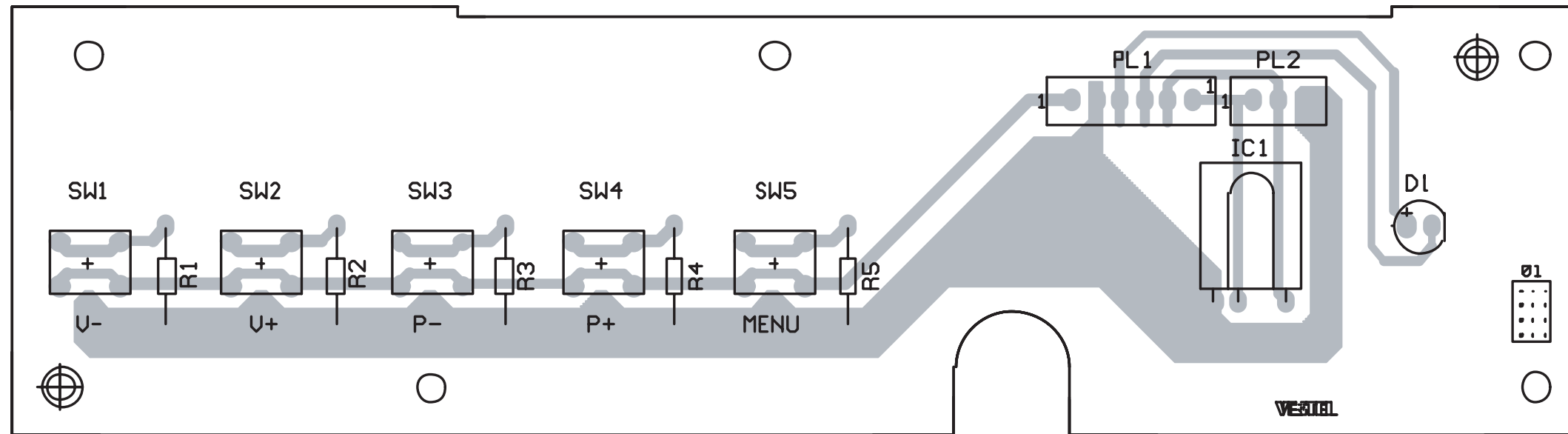
TOP
 ↑



FRONT
 →

FRONT CONTROL PWB PATTERN

TOP
 ↑



TOP
 ↑

AV28BH7ENS / AV28BH7ENB
AV28BH7EPS / AV28BH7EPB
AV28BH7EES / AV28BH7EEB



VICTOR COMPANY OF JAPAN, LIMITED

HOME AV NETWORK BUSINESS UNIT. 12, 3-chome, Moriya-cho, Kanagawa-ku, Yokohama, Kanagawa-prefecture, 221-8528, Japan